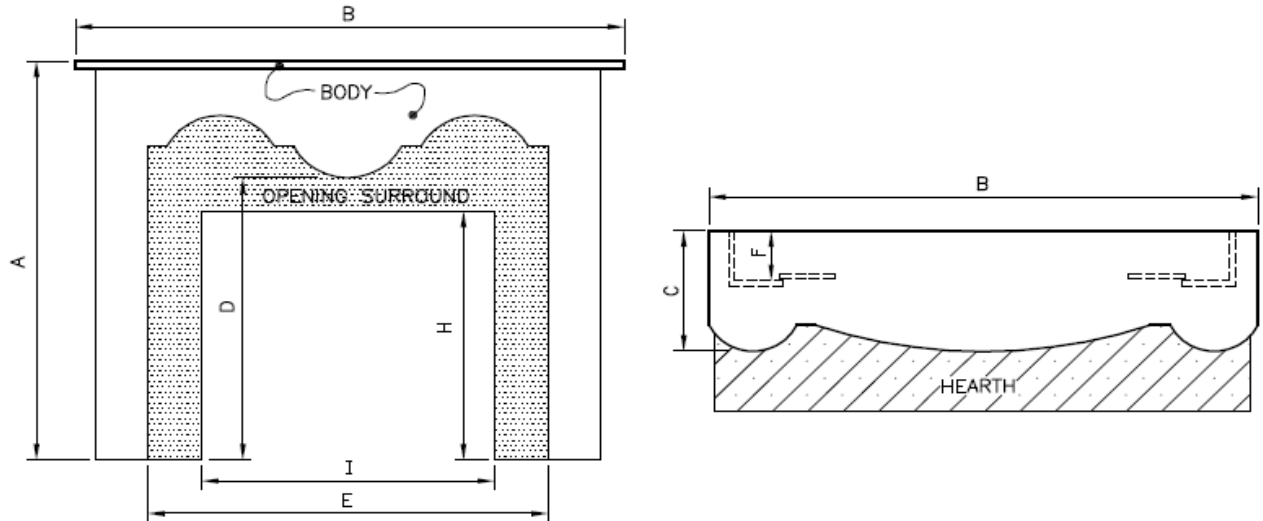


## Specifications for Cast Marble Mantel Cabinets



Name	Model No.	"A"	"B"	"C"	"D"	"E"	"F"	"H"	"I"	Hearth Size	Crated Weight w/insert
		O.A. Height	O.A. Width	Top Depth	Opening Height	Opening Width	Inside Depth	Insert Height	Insert Width		
Adams	CM211	50"	57"	14"	37"	39"	12"	33"	30"	60" X 20"	490
Deauville	CM280	45-3/8"	63-1/2"	16"	34-1/4"	45-3/8"	12"	25-13/16"	33-5/8"	63.5"x25"	470
LaSaniere	CM240	46-3/4"	60"	15"	35-1/2"	44"	12"	25-13/16"	33-5/8"	60" x 25"	380
Louis XIV	CM285	46-3/4"	60-1/2"	14"	34-1/2"	45-3/4"	12"	25-13/16"	33-5/8"	60" x 25"	400
Louis XV	CM220	43-1/2"	46-1/2"	15"	32"	33"	12"	29"	26"	48" X19"	360
Mont Marte	CM245	46-3/4"	60"	12-1/4"	33-1/4"	43-1/2"	12"	25-13/16"	33-5/8"	60" x 25"	340
Renaissance	CM231	43-1/2"	51"	16"	35-1/2"	37"	12"	25-13/16"	33-5/8"	52" X 19"	405
Versailles	CM256	44"	58"	17"	31"	39"	12"	25-13/16"	33-5/8"	60" X 20"	420
<b>Shallow Depth Units</b>											
Versailles	CM350	45"	55"	14"	32-1/2"	34"	9"	29"	26"	52"X 19"	400
Victorian	CM360	47"	55"	14"	34-1/2"	34"	9"	N/A	N/A	52" X 19"	425

Revised 02/09

- All opening surrounds are a 3-piece cast marble set permanently installed.
- Mantels will be shipped with opening surround sizes shown above (H) & (I). If a custom size is required, orders must designate specific (H) & (I) dimensions. Orders without specific instructions to alter (H) & (I) dimensions will be shipped as listed above.
- Cast Marble Mantel weights and prices include crating.
- Cast Marble Mantels are shipped F.O.B. Morocco, IN